

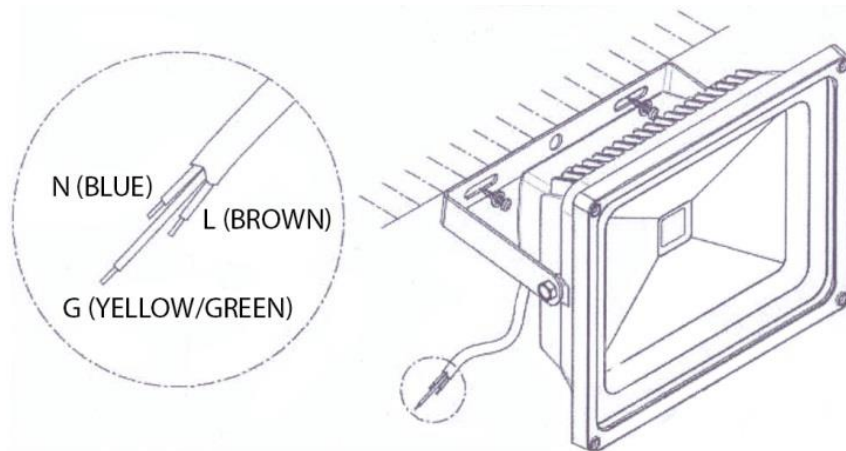


8302059 [Epistar LED 20W Flood Beam Wall Mounted Lamp, 1600 Lumens]

Instruction Guide

Safety Instructions

1. Disconnect power before installing or servicing. The fixture must be wired in accordance with the National Electrical Code and applicable local codes and ordinances
2. All wiring should be performed by a qualified electrician
3. The fixture is for outdoor use and should not be used in areas with limited ventilation or high ambient temperatures



Installation – Surface Mounting

1. Bolt lamp fixture mounting bracket to desired surface
2. Connect wires to proper terminals. Ensure that wire length allows for tilt and movement of the lamp
 - a. Blue – Neutral
 - b. Brown – Load
 - c. Yellow/Green – Ground